

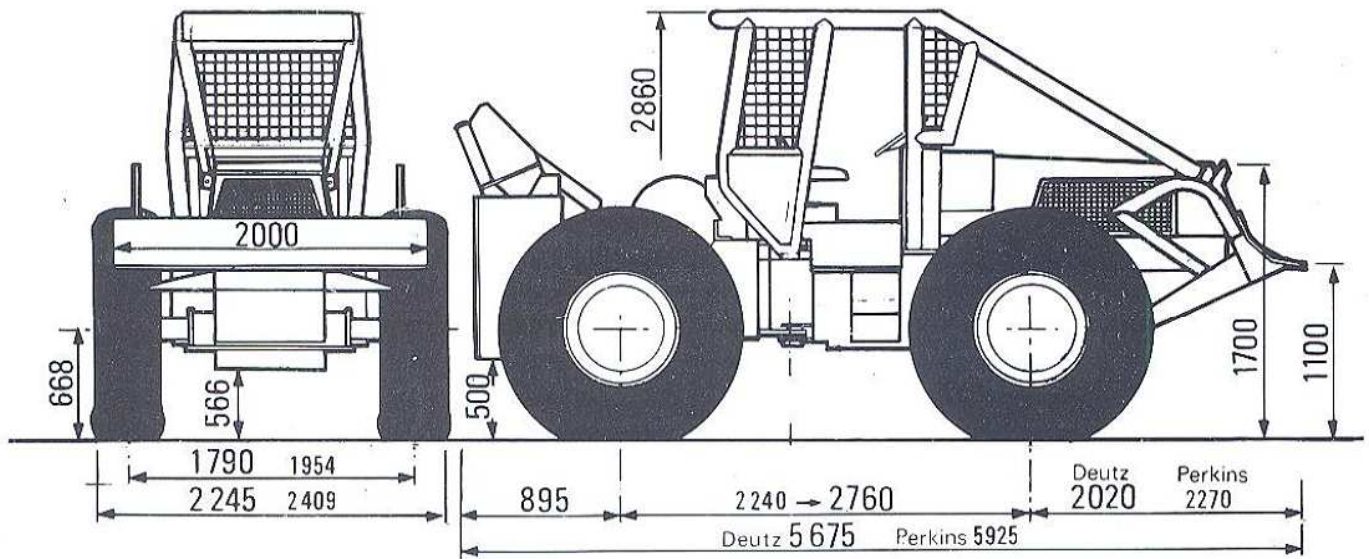


TM 325 LOG SKIDDER 93 or 110 HP



 vibrant

TM 325 LOG SKIDDER 93 or 110 HP



WEIGHT	FRONT	REAR	TOTAL
In working order	4 300	3 400	7 700
Maxi load	6 000	6 000	12 000

Tyres size 16,9 x 30 forestry

CHARACTERISTICS

- ENGINE** Diesel Deutz 93 HP at 2 500 r.p.m.
- 4 WHEEL DRIVE.**
- ARTICULATED FRAME** controlled by wheel and lever.
- TURNING RADIUS** 40°, external radius 5 m.
- TRANSMISSION** mechanical.
- TRANSFER CASE** 2 ranges.
- GEAR BOX** 4 speeds.
- REVERSER** (motion) ratio 1/1.
- SPEED** 1,7 Km/h to 23,6 Km/h.
- AXLES** oscillating at front, rigid at rear.
- DIFFERENTIALS LOCK** front and rear independent electrically (over hydraulic) controlled.
- SERVICE BRAKES** with discs on the transmission.
- PARKING BRAKE** mechanical on the transmission.
- WORKING BRAKE** by closing of service brake circuit.
- TYRES** 4 wheels 16,9 x 30 forestry.
- DRIVER PROTECTION** with high rigidity.
- DRIVING POSITION** 2 seats - complete dash board.
- ELECTRICAL EQUIPMENT** 24 volts 96 Amperes.
- TANKS** fuel 110 l, hydraulic : 90 l.

EQUIPMENTS

- FRONT BLADE** «by pushing and stacking» power 2,5 t.
- SIMPLE WINCH** Brimont 14 t, 100 m of 14,4 cable.
- GUARD** tyres protector removable.
- ARCH** with 4 rollers adjustable main fairlead.

OPTIONS

- ENGINE** Diesel Perkins 110 HP at 2 600 r.p.m.
- WIDE TRACK** 1 954.
- WHEELBASE ADJUSTABLE** 2 240/2 760.
- TWO DRUM WINCH** Brimont 14 t.
- ANCHORAGE SPADE** hydraulic raising.
- HYDRAULIC GUARD** with strut coordinated movement.
- WINDSHIELD** with wiper (front or rear mount).
- CAB DRESSING** with doors and insulation.
- TYRES** 18,4 x 30.
- UNIVERSAL BLADE SUPPORT** and adjustable blade.
- WORK LIGHTS.**
- TROPICALISATION** engine and organs.

BRIMONT S.A. keeps the right to change any technical feature of the products if necessary and without warning.