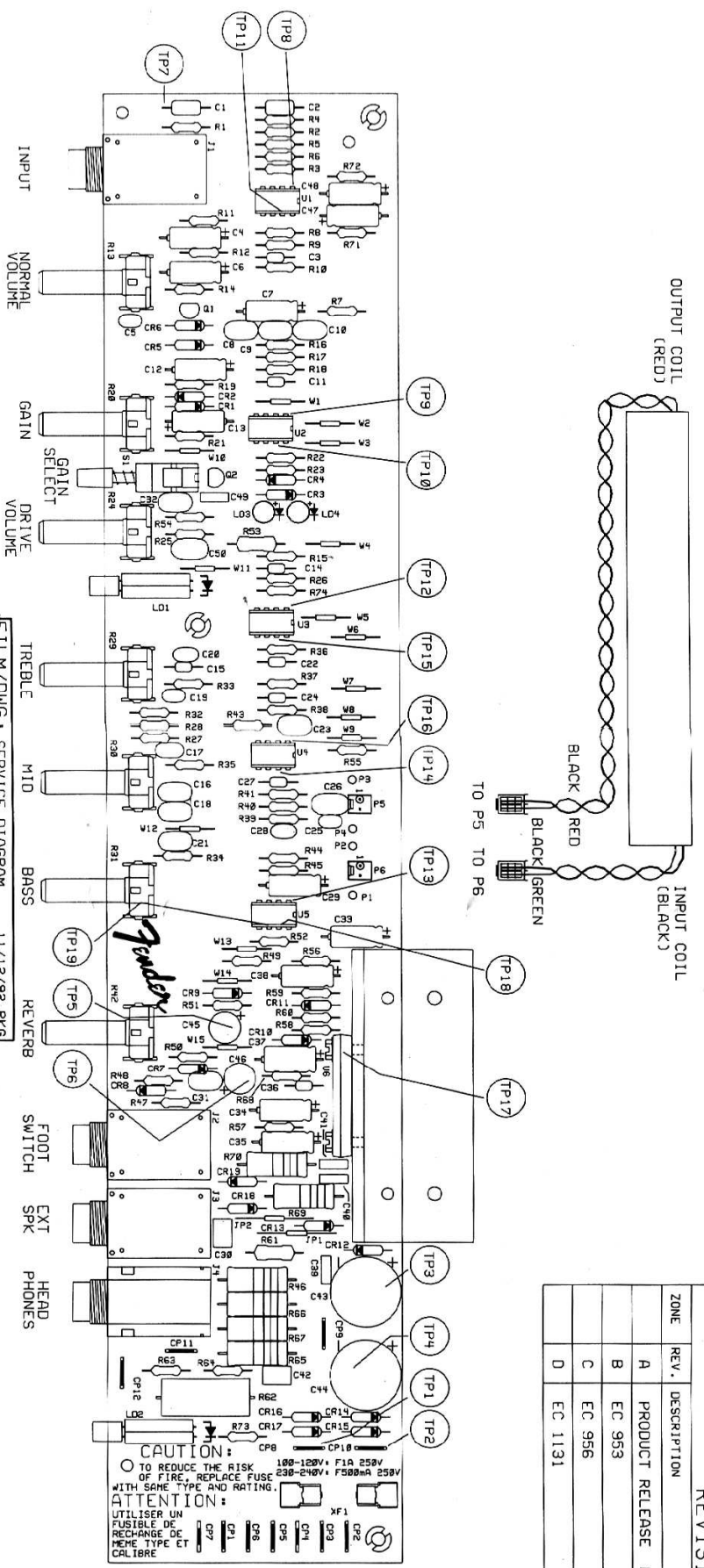
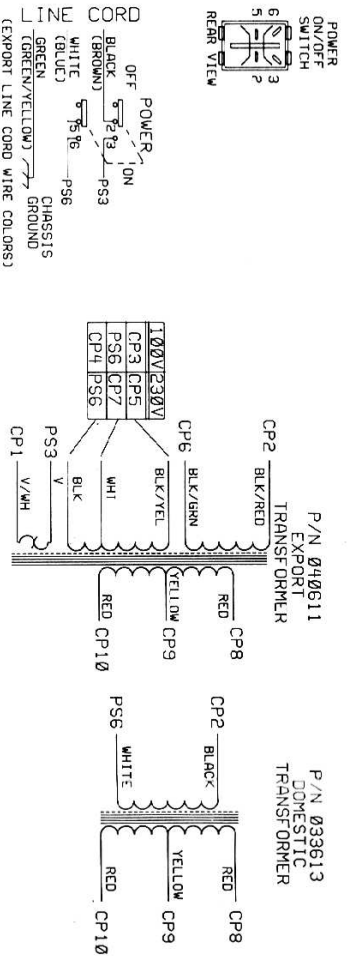


REVISIONS				
ZONE	REV.	DESCRIPTION	DATE	APPROVED
A		PRODUCT RELEASE PR# 225	12-18-92	JSS
B		EC 953	2-25-93	JSS
C		EC 956	3-01-93	JSS
D		EC 1131	3-03-94	<i>AL</i>



FILM/DWG: SERVICE DIAGRAM 11/12/92 PKG  
 DATABASE: Z225P.DBF DATE: 03-MAR-94  
 LAYERS PLOTTED: 1 2 3 4 10 11 18



POWER ON/OFF SWITCH  
 6  
 5  
 4  
 3  
 2  
 1  
 REAR VIEW

POWER OFF  
 BLACK (GROUND)  
 WHITE (BLK)  
 GREEN (GREEN/YELLOW)  
 EXPORT LINE (CORD WIRE COLORS)

100V/230W  
 CP3 CP5  
 PS6 CP7  
 CP4 PS8  
 PS3 V  
 PS6 V/WH

P/N 040611 EXPORT TRANSFORMER  
 CP2 BLK/RED

P/N 033613 DOMESTIC TRANSFORMER  
 CP8 RED  
 CP9 YELLOW  
 CP10 RED

DOMESTIC UNITS:  
 A WHITE WIRE CONNECTS TO CP1  
 EXPORT UNITS:  
 THE TRANSFORMER VIOLET/WHITE WIRE CONNECTS TO PS3  
 THE TRANSFORMER VIOLET/WHITE WIRE CONNECTS TO CP1

**PROPRIETARY**

THIS DRAWING DOCUMENT CONTAINS INFORMATION WHICH IS PROPRIETARY TO FENDER MUSICAL INSTRUMENTS CO. AND MAY NOT BE USED, REPRODUCED OR DISCLOSED IN ANY MANNER WITHOUT THE WRITTEN PERMISSION FROM FENDER MUSICAL INSTRUMENTS CO., 1130 COLUMBIA ST., RICHMOND, CA, ALTHAMBA 94821

**CAUTION:**  
 TO REDUCE THE RISK OF FIRE, REPLACE FUSE WITH SAME TYPE AND RATING.  
**ATTENTION:**  
 UTILISER UN FUSIBLE DE RECHANGE DE MEME TYPE ET CALIBRE.

100-120V; F1A 250V  
 230-240V; F500MA 250V

1K  
 CP1  
 CP2  
 CP3  
 CP4  
 CP5  
 CP6  
 CP7  
 CP8  
 CP9  
 CP10  
 CP11  
 CP12

DATE: 3-3-94  
 APPROVED: *AL*  
 CHECKED BY: *MH*  
 Z225P.DBF  
 DATABASE FILE:

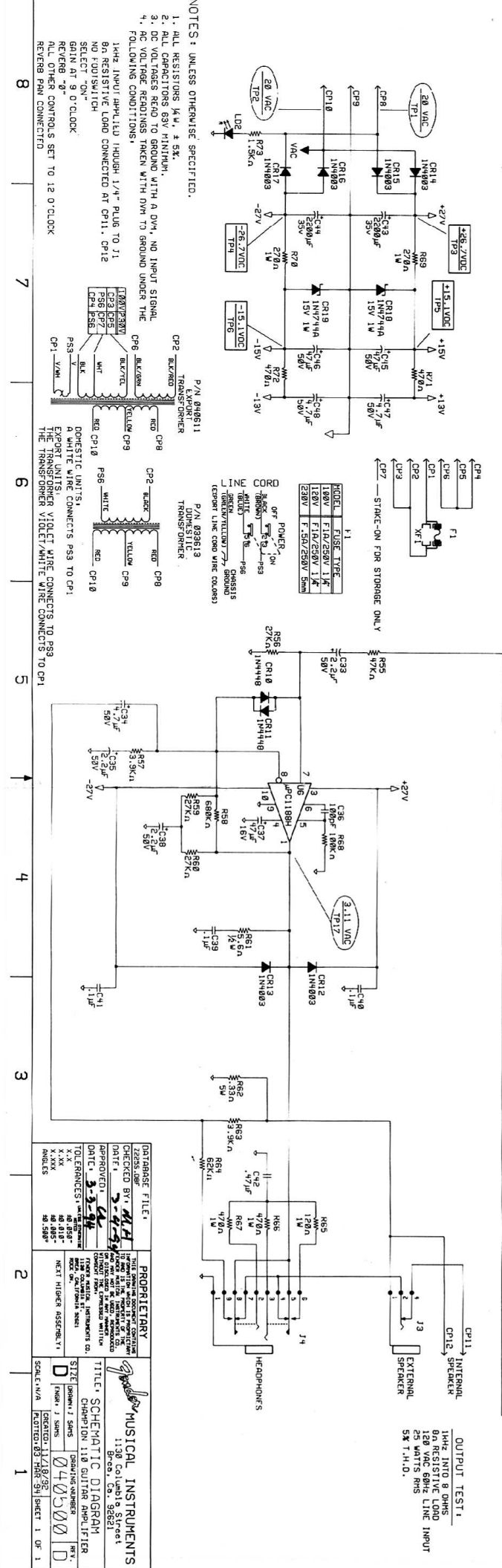
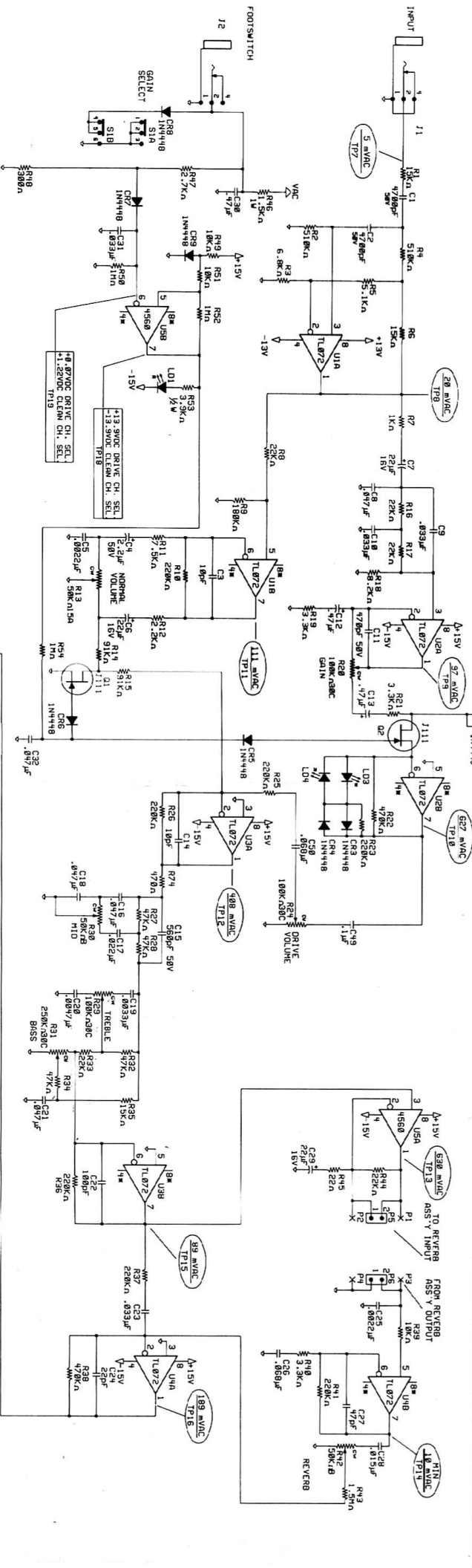
TOLERANCES: UNLESS OTHERWISE NOTED  
 .50/.030"  
 .40/.018"  
 .40/.005"  
 .40/.500°  
 ANGLES

SCALE: B  
 DRAWING NUMBER: 0404939  
 ENGR: J S SANS  
 CREATED: 12-4-92  
 PLOTTED: 03-MAR-94

TITLE: SERVICE DIAGRAM  
 CHAMPION 110  
 FENDER MUSICAL INSTRUMENTS  
 1130 Columbia Street  
 Brea, Ca. 92621

REV. D

REVISIONS				
ZONE	REV.	DESCRIPTION	DATE	APPROVED
A	1	PRODUCT RELEASE FRAMES	12-18-92	JSS
B	8	CC 933	2-26-93	JSS
C	CC 956	3-03-93	155	JSS
D	CC 1131	3-03-94		CA



- NOTES:
- ALL RESISTORS  $\frac{1}{4}$  W,  $\pm 5\%$ .
  - ALL CAPACITORS 63V MINIMUM.
  - DC VOLTAGES READ TO GROUND WITH A DVM, NO INPUT SIGNAL.
  - AC VOLTAGE READINGS TAKEN WITH DVM TO GROUND UNDER THE FOLLOWING CONDITIONS:

P/N 949611 EXPORT TRANSFORMER

P/N 93813 DOMESTIC TRANSFORMER

REGUL. CAP. VALUE

100V	F102/250V 1.1F
120V	F102/250V 1.1F
250V	F102/250V 5mm

POWER

REG. CAP. VALUE

100V	F102/250V 1.1F
120V	F102/250V 1.1F
250V	F102/250V 5mm

EXPORT UNITS

THE TRANSFORMER VIOLET WIRE CONNECTS TO PS3

DOMESTIC UNITS

A WHITE WIRE CONNECTS TO CP1

EXPORT UNITS

THE TRANSFORMER VIOLET/WHITE WIRE CONNECTS TO PS3

DOMESTIC UNITS

A WHITE WIRE CONNECTS TO CP1

INTERNAL SPEAKER

EXTERNAL SPEAKER

HEADPHONES

OUTPUT TEST 1

1MΩ INTO 8 OHMS

60 RESISTIVE LOAD

120 VAC 60HZ LINE INPUT

25 WATTS RMS

5% T.H.D.